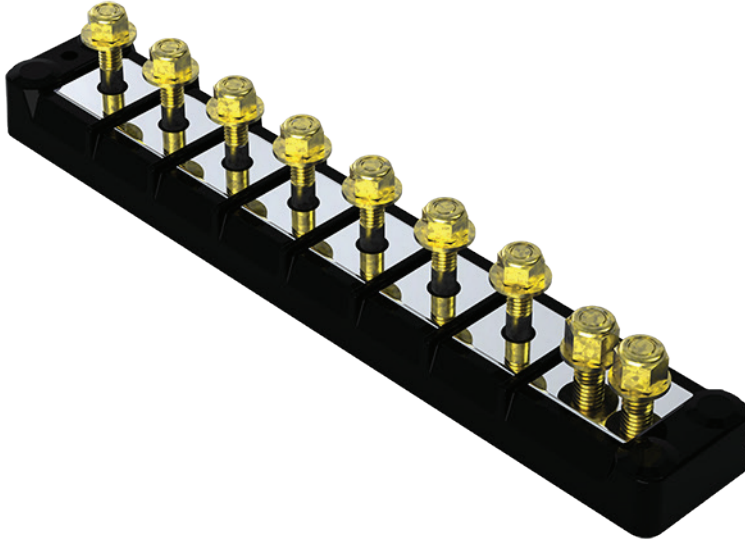




3051006 7 Stud Bus Bar



Innovative Controls Inc. 3051006 is a 7 stud bus bar designed for local high current power distribution.

This bus bar is designed for use with M8 sized Marine Rated Battery Fuse (MRBF) blocks. Each fuse can be mounted to any of seven 5/16"-18 studs and should not be rated for more than 500A.

Total amps (total of all 7 studs) should not exceed 1000A on this bus bar.

Max. torque ratings:

5/16"-18 studs: 107 in-lbs*

3/8" - 16 studs: 192 in-lbs

* Refer to the fuse manufacturer's guidelines for fuse installation, operation and maintenance specifications.

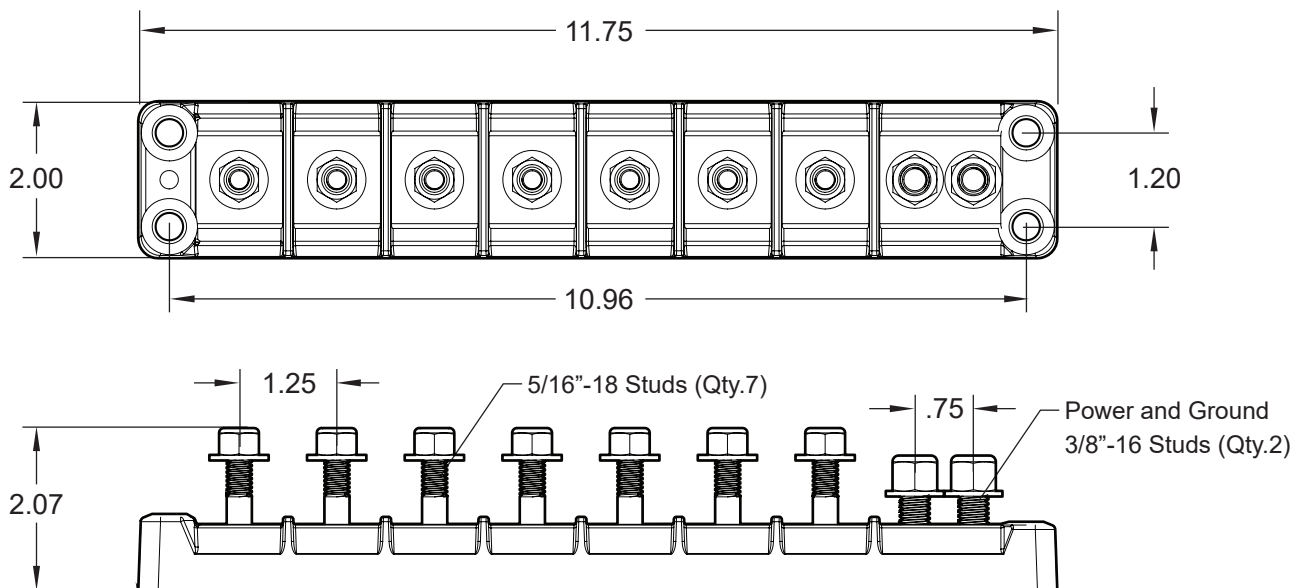
FEATURES

- C110 Copper Bar, Tin Plated
- Housed in Injected Molded ABS Overmold
- 4 x No.10 Mounting Screw Holes
- 2 x 3/8" Battery Input Power Studs
- 7 x 5/16" Fuse Mounting Studs
- 1000A Maximum Bus Bar Total Amperage
- 500A Maximum Fuse Amperage

TECHNICAL SPECIFICATIONS

Operating Voltage	32 V
Operating Temp. Range	-40°C to +85°C (-40°F to +185°F)
Storage Temp. Range	-40°C to +85°C (-40°F to +185°F)
Dimensions	11.75in.lg. x 2.0in.wide x 2.07in.high
Weight	3 lbs.

DIMENSIONS



DOC.7000070 REV.1.0